



www.tfvalves.com

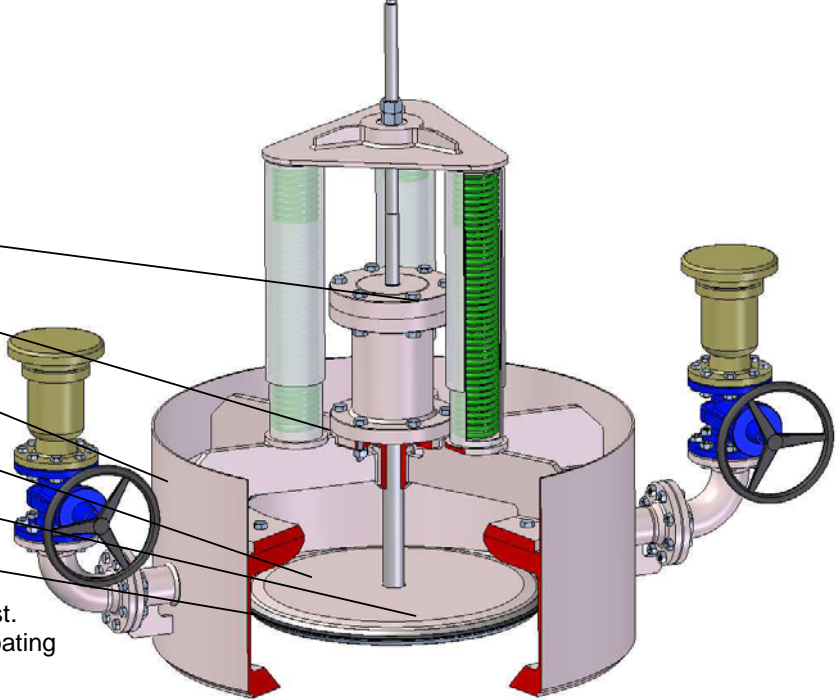
# Air valve Type AV DN350(13")-1200(48") PN6-40

## Description:

Air valves, type AV, are used for aeration and deaeration of water pipelines. The requirement of aeration of pipelines arises when, as a result of certain working conditions, negative pressure has been created in the line. This negative pressure can cause disturbances in the operation. During deaeration of pipelines atmospheric air which has entered into the pipeline is removed. Typical applications for AV air valves are pipe-break protection systems, which are used in hydro power stations to protect the installation from the effects of pipeline ruptures or large leaks.

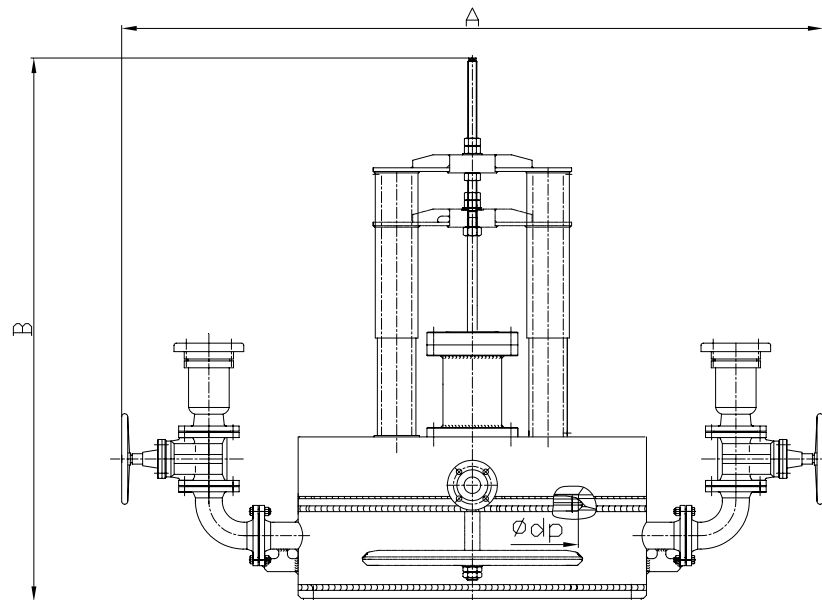
## Main materials

Parts	Type standard
Springs	spring steel
Spindle	stainless steel
Body	carbon steel/ stainless steel
Seal disc	carbon steel
Main seals	Buna N (rubber)
Clamping ring	carbon steel



Other materials are available on request.  
Painting for standard valves – epoxy coating

## General design:





www.tfvalves.com

# Air valve Type AV DN350(13'')-1200(48'') PN6-40

**Dimensions + weights for standard range of AV air valves** (other sizes and pressure rates on request).

DN	ødp	PN6			PN10			PN16			PN25			PN40		
		A	B	Weight	A	B	Weight	A	B	Weight	A	B	Weight	A	B	Weight
[mm]	[mm]	[mm]	[mm]	[kg]	[mm]	[mm]	[kg]	[mm]	[mm]	[kg]	[mm]	[mm]	[kg]	[mm]	[mm]	[kg]
350	250	800	650	120	850	700	130	900	750	140	950	800	220	1000	850	240
400	300	900	800	150	950	850	170	1000	900	180	1050	950	260	1100	1000	290
500	350	1100	1000	200	1150	1050	230	1200	1100	250	1250	1150	310	1250	1200	350
600	450	1250	1150	280	1300	1200	320	1350	1250	250	1400	1300	450			
700	500	1350	1300	370	1400	1350	410	1450	1400	450	1550	1500	580			
800	700	1950	1550	730	2050	1650	810	2100	1700	900	2200	1800	1150			
900	800	2250	1850	1150	2350	1950	1260	2400	2000	1400	2500	2100	1800			
1000	900	2400	2050	1450	2500	2150	1620	2600	2200	1800	2700	2300	2200			
1200	1000	2500	2300	2050	2700	2450	2250	2800	2500	2500						
1400	1200	2700	2550	2450	2900	2750	2700	3000	2800	3000						

Flange in accordance with ISO / DIN

Flanges in accordance with ANSI and MSS available on request

Dimensions and weights are preliminary only and are subject to change during detail design.