



www.tfvalves.com

Ball valve Type BLV-2P DN500(20'')-1500(59'') PN25-40

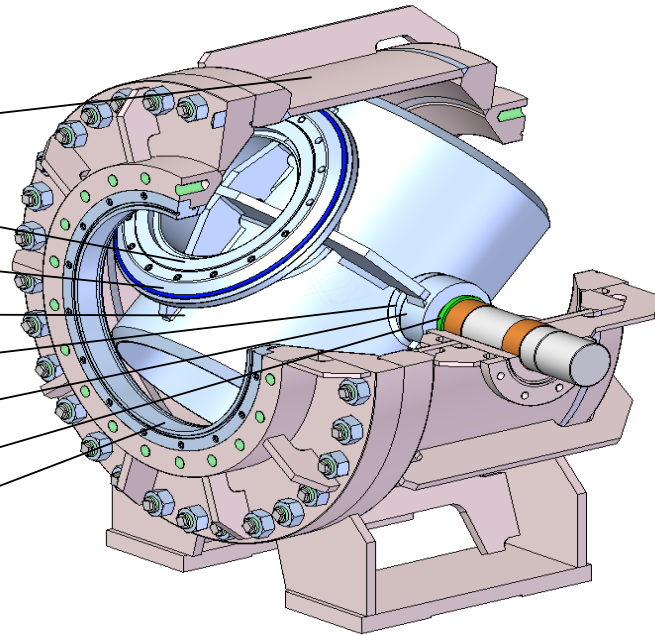
Description:

BLV-2P ball valves are of light fabricated design. Double eccentric positioning of the rotor permits smooth raising and resetting of the rotor-seal from/on the sealing surface. BLV-2P valves have double sealing system on the shafts and special profile of the rotor seal for positive, long term tightness.

With standard seals materials BLV-2P valves may be used in liquid and gaseous service for temperatures up to 150°C.

Main materials:

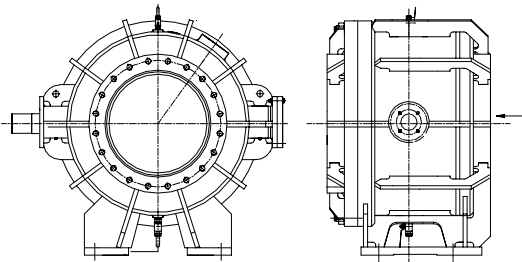
Parts	Type standard
body	carbon steel
clamping ring	stainless steel
main sealing	BUNA N / polyurethane
rotor	carbon steel
seals	NOVOTHAN / buna n (rubber)
bushings	slide bushing
shaft	stainless steel
sealing ring	stainless steel



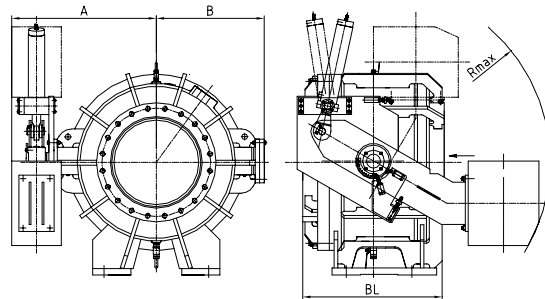
Other materials are available on request
Painting for standard valves - epoxy coating

General design:

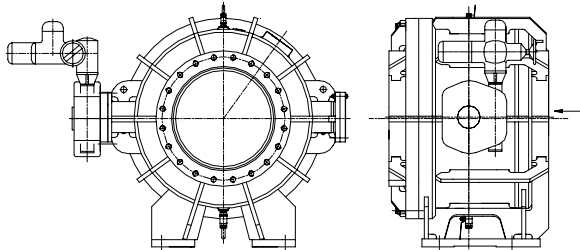
1. Bare shaft



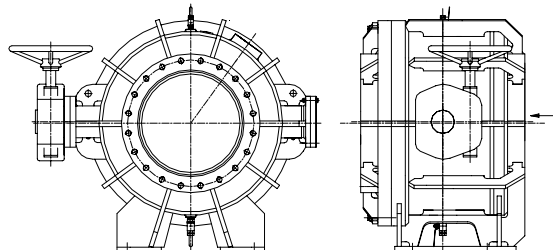
2. Counterweight and servomotor



3. Worm gear unit + Electric actuator



4. Worm gear unit + Handwheel





www.tfvalves.com

Ball valve Type BLV-2P DN500(20'')-1500(59'') PN10-40

Dimensions and weights for standard range of BLV-2P ball valves (other sizes and pressure ratings are available on request).

DN	BL	PN10			PN16			PN25			PN40		
		A	B	R max	A	B	R max	A	B	R max	A	B	R max
[mm]	[mm]	[mm]	[mm]	[mm]	[mm]	[mm]	[mm]	[mm]	[mm]	[mm]	[mm]	[mm]	[mm]
500	1300	700	550	860	800	650	980	1000	800	1100	1100	850	1200
600	1350	800	650	980	1000	800	1100	1100	850	1200	1150	900	1400
700	1400	1000	800	1100	1200	850	1200	1150	900	1400	1200	1000	1550
800	1450	1200	850	1200	1300	900	1400	1200	1000	1550	1900	1100	1650
900	1500	1300	900	1400	1400	1000	1550	1900	1100	1650	2100	1600	1800
1000	1550	1400	1000	1550	1500	1100	1650	2100	1200	1800	2300	1800	2100
1100	1600	1500	1100	1650	1600	1200	1800	2300	1300	2100	2500	2100	2400
1200	1800	1600	1200	1700	1800	1300	1900	2400	1500	2200	2600	2200	2500
1300	1900	1700	1300	1800	1900	1400	2000	2500	1600	2300	2700	2300	2600
1400	2050	1800	1400	1900	2000	1500	2100	2600	1700	2400	2800	2400	2700
1500	2200	1900	1500	2000	2100	1600	2200	2700	1800	2500	2800	2500	2800

Flange in accordance with ISO / DIN

Flanges in accordance with ANSI and MSS available on request

Dimensions and weights are preliminary only and are subject to change during detail design.