



www.tfvalves.com

Butterfly valve with biplane disc Type BTV-B DN800(30")-3000(118") PN6-25

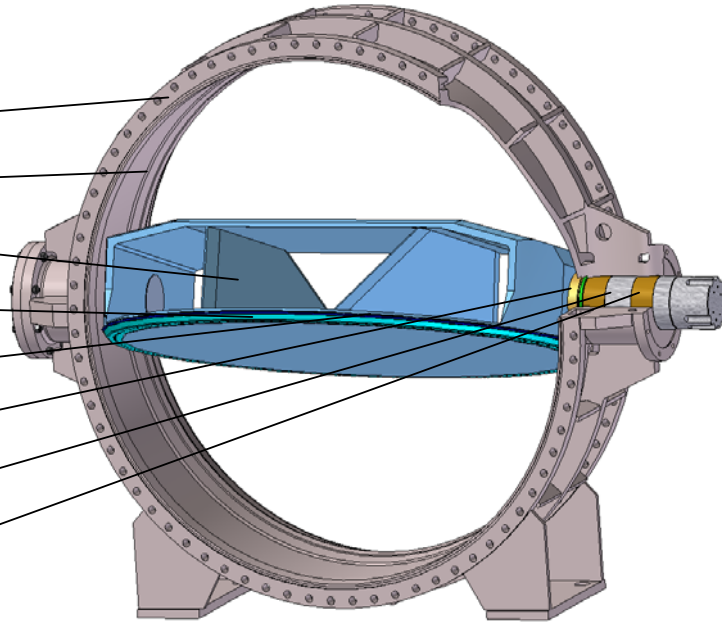
Description:

BTV-B - butterfly valves are of fabricated design with biplane disc. Double eccentric positioning of the disc permits smooth raising and resetting of the disc-seal from/on the sealing surface. BTV-B valves have double sealing system on the shafts and special profile of the disc seal for positive, long term tightness.

With standard seals materials BTV-B valves may be used in liquid and gaseous service for temperatures up to 150°C.

Main materials:

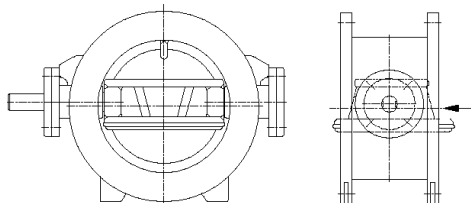
Parts	Type standard
body	carbon steel
seat ring	stainless steel
disc	carbon steel
clamping ring	carbon steel
main sealing	BUNA N (rubber)
seals	NOVOTHAN BUNA N (rubber)
shaft	stainless steel
bushings	slide bearings



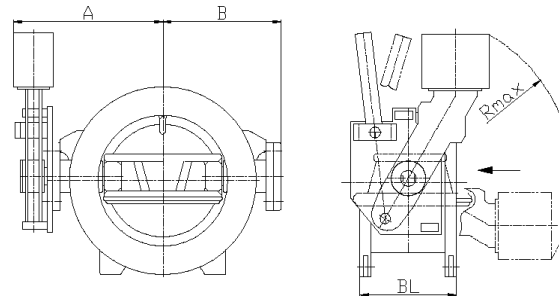
Other materials are available on request
Painting for standard valves- epoxy coating

General design:

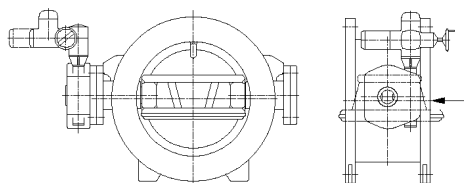
1. Bare shaft



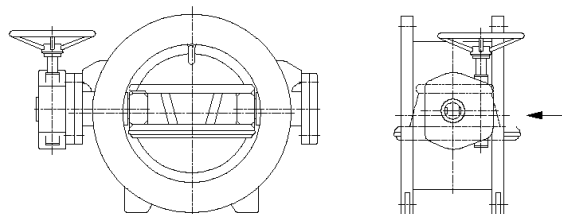
2. Counterweight and servomotor



3. Worm gear unit + Electric actuator



4. Worm gear unit + Hand wheel





www.tfvalves.com

Butterfly valve with biplane disc Type BTV-B DN800(30'')-3000(118'') PN6-25

Dimensions and weights for standard range of BTV-B butterfly valves with biplane disc (other sizes and pressure ratings are available on request).

DN	BL	PN6					PN10					PN16					PN25				
		A	B	R max	Weight drive 2	Weight drive 3	A	B	R max	Weight drive 2	Weight drive 3	A	B	R max	Weight drive 2	Weight drive 3	A	B	R max	Weight drive 2	Weight drive 3
[mm]	[mm]	[mm]	[mm]	[mm]	[kg]	[kg]	[mm]	[mm]	[mm]	[kg]	[kg]	[mm]	[mm]	[mm]	[kg]	[kg]	[mm]	[mm]	[mm]	[kg]	[kg]
800	470	810	610	1200	1060	730	850	610	1400	1200	950	1140	640	1550	1700	1050	1180	680	1650	3300	1500
900	510	910	670	1400	1500	940	910	670	1550	1750	1200	1200	700	1650	2100	1400	1280	750	1650	4100	2100
1000	550	970	730	1550	1820	1190	1050	730	1650	2200	1900	1260	760	1650	3600	1900	1340	810	1800	6000	2700
1200	630	1190	870	1650	2570	1780	1400	870	1650	3900	2500	1420	900	1650	4500	2700	1500	1040	200	7700	4800
1400	710	1530	1000	1650	4400	2600	1550	1000	1650	4800	3000	1560	1040	1650	6700	3700	1700	1100	2400	8200	5500
1500	750	1620	1070	1650	4940	3230	1650	1070	1650	6900	3200	1700	1110	1800	7700	4800	1780	1200	2600	9500	6300
1600	790	1710	1130	1650	6600	3500	1710	1130	1880	7500	4800	1780	1180	2000	8200	5500	1900	1400	2700	10500	7500
1800	870	1850	1270	1800	7700	4800	1850	1270	2000	10000	6300	1900	1400	2400	9500	6300	2100	1600	2800	12500	9500
2000	950	1980	1400	2000	9000	6400	1980	1400	2400	11000	8670	2100	1600	2600	12500	9500	2500	1900	3000	13300	10300
2200	1030	2100	1520	2400	11000	8000															
2400	1110	2230	1650	2400	12500	10300															
2600	1190	2360	1780	2500	15000	12320															
2800	1270	2480	1900	2500	16500	13820															
3000	1350	2600	2000	2600	19000	16100															

Flange in accordance with ISO / DIN

Flanges in accordance with ANSI and MSS available on request

Dimensions and weights are preliminary only and are subject to change during detail design.