



www.tfvalves.com

Ball valve Type BLV-2P DN500(20'')-1500(59'') PN25-40

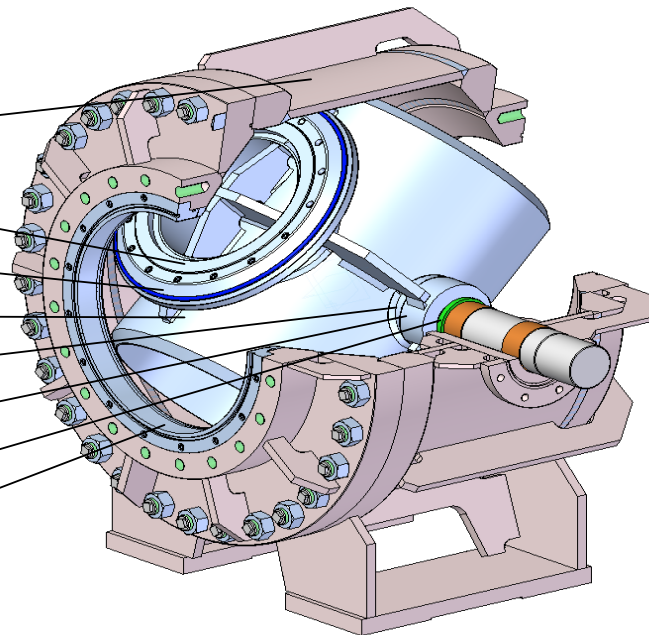
Description:

BLV-2P ball valves are of light fabricated design. Double eccentric positioning of the rotor permits smooth raising and resetting of the rotor-seal from/on the sealing surface. BLV-2P valves have double sealing system on the shafts and special profile of the rotor seal for positive, long term tightness.

With standard seals materials BLV-2P valves may be used in liquid and gaseous service for temperatures up to 150°C.

Main materials:

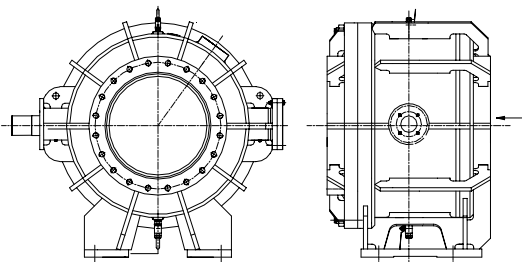
Parts	Type standard
body	carbon steel
clamping ring	stainless steel
main sealing	BUNA N / polyurethane
rotor	carbon steel
seals	NOVOTHAN / buna n (rubber)
bushings	slide bushing
shaft	stainless steel
sealing ring	stainless steel



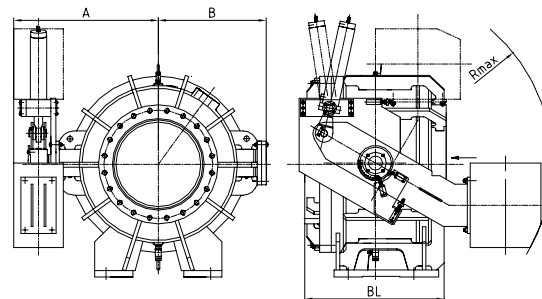
Other materials are available on request
Painting for standard valves - epoxy coating

General design:

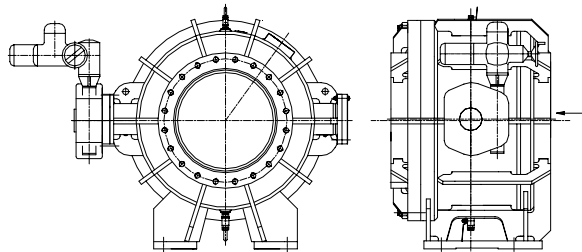
1. Bare shaft



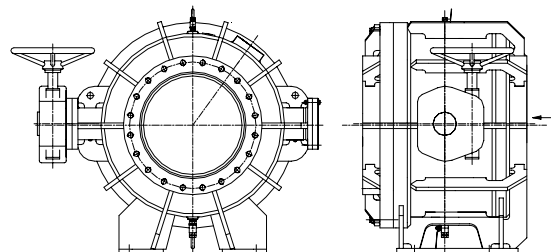
2. Counterweight and servomotor



3. Worm gear unit + Electric actuator



4. Worm gear unit + Handwheel





www.tfvalves.com

Ball valve Type BLV-2P DN500(20'')-1500(59'') PN10-40

Dimensions and weights for standard range of BLV-2P ball valves (other sizes and pressure ratings are available on request).

DN	BL	PN10			PN16			PN25			PN40		
		A	B	R max	A	B	R max	A	B	R max	A	B	R max
[mm]	[mm]	[mm]	[mm]	[mm]	[mm]	[mm]	[mm]	[mm]	[mm]	[mm]	[mm]	[mm]	[mm]
500	1300	700	550	860	800	650	980	1000	800	1100	1100	850	1200
600	1350	800	650	980	1000	800	1100	1100	850	1200	1150	900	1400
700	1400	1000	800	1100	1200	850	1200	1150	900	1400	1200	1000	1550
800	1450	1200	850	1200	1300	900	1400	1200	1000	1550	1900	1100	1650
900	1500	1300	900	1400	1400	1000	1550	1900	1100	1650	2100	1600	1800
1000	1550	1400	1000	1550	1500	1100	1650	2100	1200	1800	2300	1800	2100
1100	1600	1500	1100	1650	1600	1200	1800	2300	1300	2100	2500	2100	2400
1200	1800	1600	1200	1700	1800	1300	1900	2400	1500	2200	2600	2200	2500
1300	1900	1700	1300	1800	1900	1400	2000	2500	1600	2300	2700	2300	2600
1400	2050	1800	1400	1900	2000	1500	2100	2600	1700	2400	2800	2400	2700
1500	2200	1900	1500	2000	2100	1600	2200	2700	1800	2500	2800	2500	2800

Flange in accordance with ISO / DIN

Flanges in accordance with ANSI and MSS available on request

Dimensions and weights are preliminary only and are subject to change during detail design.

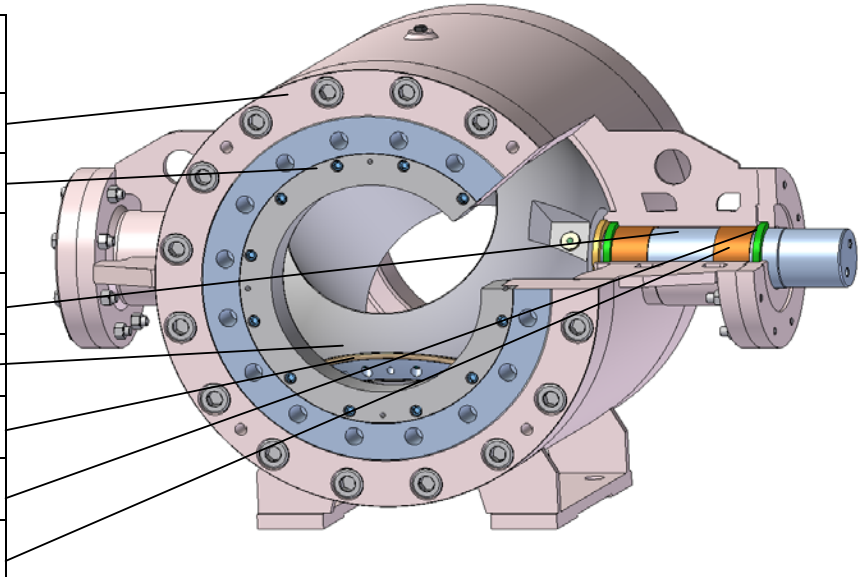
Description:

BLV-3P ball valves are of heavy, forged design. Double eccentric positioning of the rotor permits smooth raising and resetting of the rotor-seal from/on the sealing surface.

BLV-3P valves have double sealing system on the shafts and special profile of the rotor seal for positive, long term tightness. With standard seals materials BLV-3P valves may be used in liquid and gaseous service for temperatures up to 150°C.

Main materials:

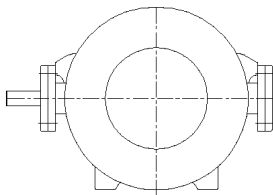
Parts	Type standard
Body	carbon steel
Seat ring	stainless steel
Rotor	carbon steel
Shaft	stainless steel
Main sealing	Buna N / polyurethane
Clamping ring	stainless steel
Seals	Novothan Buna N (rubber)
Bushings	side bushing



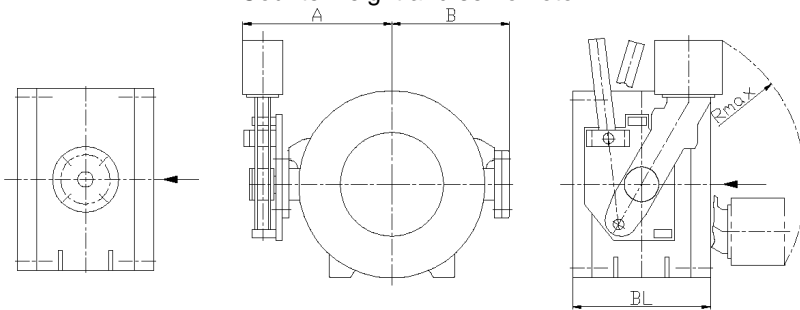
Other materials are available upon request
Painting for standard valves- epoxy coating

General design:

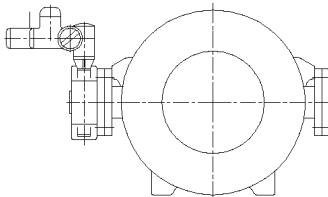
1. Bare shaft



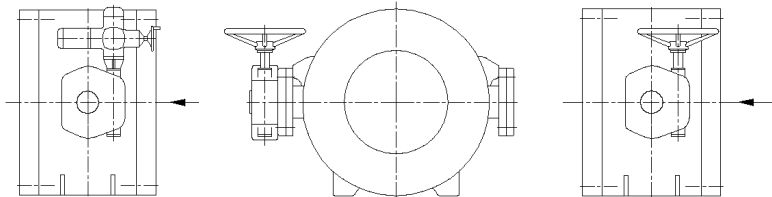
2. Counterweight and servomotor



3. Worm gear unit + Electric actuator



4. Worm gear unit + Handwheel





www.tfvalves.com

Ball valve Type BLV-3P DN150(6'')-1200(47'') PN25-100

Dimensions and weights for standard range of BLV-3P ball valves (other sizes and pressure ratings are available upon request).

DN	BL	PN25					PN40					PN64					PN100				
		A	B	R max	Weight drive 2	Weight drive 3	A	B	R max	Weight drive 2	Weight drive 3	A	B	R max	Weight drive 2	Weight drive 3	A	B	R max	Weight drive 2	Weight drive 3
[mm]	[mm]	[mm]	[mm]	[mm]	[kG]	[kG]	[mm]	[mm]	[mm]	[kG]	[kG]	[mm]	[mm]	[mm]	[kG]	[kG]	[mm]	[mm]	[mm]	[kG]	[kG]
150	350	560	360	480	520	430	560	360	660	565	450	560	360	800	590	450	560	360	980	790	465
200	420	620	420	580	800	730	620	420	860	965	730	620	420	800	965	745	620	420	980	1065	770
250	470	650	450	660	930	830	650	450	980	1030	840	650	450	860	1070	840	650	450	1100	1160	890
300	500	680	510	860	1200	980	680	510	1200	1330	1010	680	510	980	1400	1010	680	510	1550	1700	1055
350	640	840	640	860	2200	1990	840	640	1400	2590	2010	840	640	980	2760	2060	840	640	1550	2890	2120
400	690	900	700	980	2800	2470	900	700	1550	3160	2500	900	700	1100	3330	2590	900	700	1650	4360	2600
450	730	970	770	1200	3300	3030	970	770	1550	3900	3070	970	770	1200	4230	3140	970	770	1650	4900	3240
500	830	1085	845	1400	4200	3630	1085	845	1650	5490	3730	1085	845	1550	5850	3820	1085	845	1800	6700	3835
600	980	1140	900	1550	6200	5850	1140	900	1650	7700	5930	1140	900	1650	8200	6000	1140	900	1800	9000	6300
700	1130	1185	985	1550	9000	8250	1185	985	1650	10000	8340	1185	985	1800	11350	8620	1185	985			
800	1290	1890	1090	1650	13000	11350	1890	1090	1800	14000	11530	1890	1090			11660	1890	1090			
900	1440	2075	1175	1650	17300	15660	2075	1175			15930	2075	1175			15960	2075	1175			

Flange in accordance with ISO / DIN

Flanges in accordance with ANSI and MSS available upon request

Dimensions and weights are preliminary only. Final dimensions and weights will be established after detail design of each valve is completed.

Description:

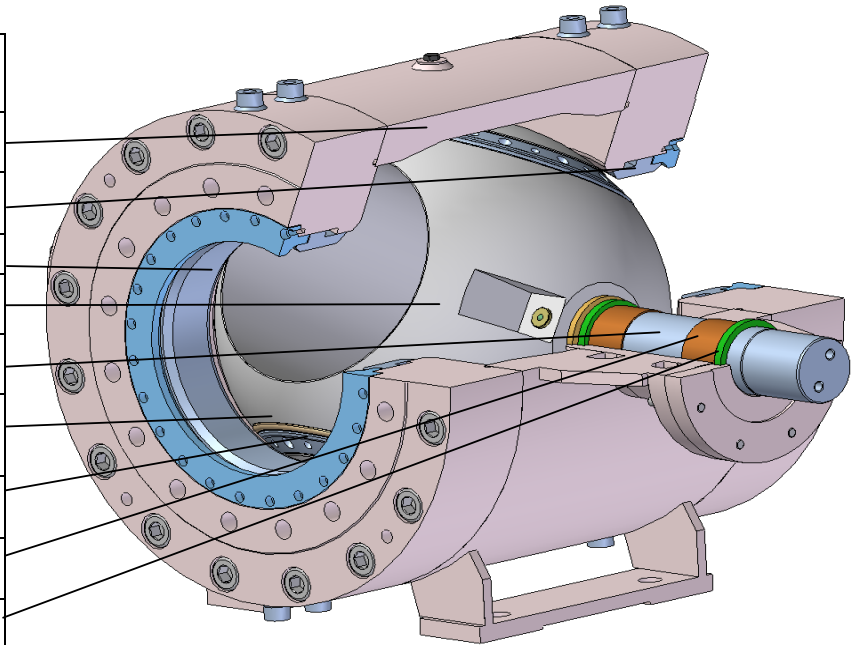
SPV-3P-M spherical valves are of heavy, forged design with 3 piece short, compact body with thread holes flange connections.

Valves are equipped with movable, water – hydraulic operated service and maintenance seals system (metal to metal/rubber). Maintenance works on service seal can be executed without dismantling the valve from the penstock.

SPV-3P-M valves have double seals (internal - external) on the shafts and special shape of the rotor seals for positive, long term tightness. With standard seals materials SPV-3P-M valves may be used in liquid and gaseous service for temperatures up to 70°C.

Main materials:

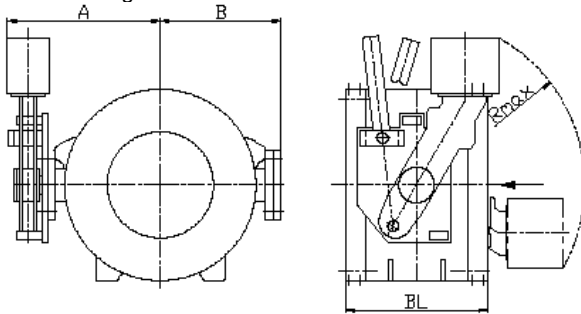
Parts	Type standard
Body	carbon steel
Maintenance seal	stainless steel
Seat ring	stainless steel
Rotor	carbon steel
Shaft	stainless steel
Main seal	Stainless steel / Buna N / polyurethane
Clamping ring	stainless steel
Bushings	sidle bushing
Seals	Novothan Buna N (rubber)



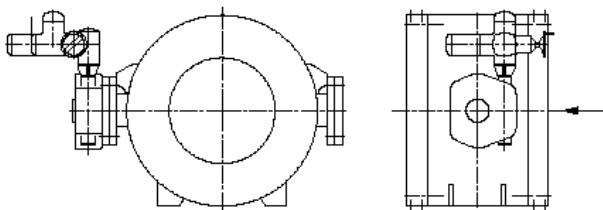
Other materials on request
Painting for standard valves- epoxy coating

Drives of valves:

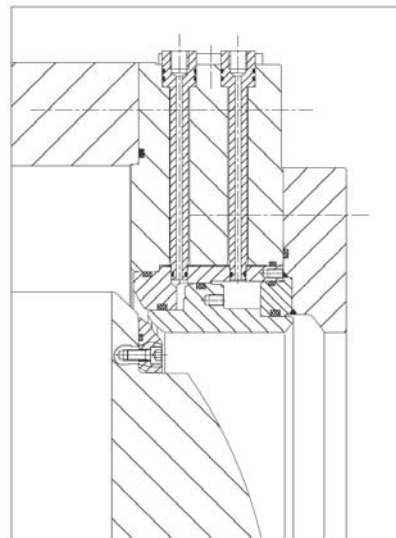
- Counterweight and servomotor



- Worm gear unit + Electric actuator



Cross section of the sealing system





www.tfvalves.com

Spherical valve Type SPV-3P-M DN150(6'')-1200(47'') PN25-160

Dimensions and weights for standard range of SPV-3P-M spherical valves (other sizes and pressure ratings are available upon request).

DN	BL	PN25					PN40					PN64					PN100					PN160				
		A	B	R max	Weight drive 1	Weight drive 2	A	B	R max	Weight drive 1	Weight drive 2	A	B	R max	Weight drive 1	Weight drive 2	A	B	R max	Weight drive 1	Weight drive 2	A	B	R max	Weight drive 1	Weight drive 2
[mm]	[mm]	[mm]	[mm]	[mm]	[kg]	[kg]	[mm]	[mm]	[mm]	[kg]	[kg]	[mm]	[mm]	[mm]	[kg]	[kg]	[mm]	[mm]	[mm]	[kg]	[kg]	[mm]	[mm]	[mm]	[kg]	[kg]
150	420	560	360	480	640	550	560	360	660	700	600	560	360	800	700	570	560	360	980	790	465					
200	490	620	420	580	1000	940	620	420	860	1200	900	620	420	800	1200	950	620	420	980	1065	770					
250	540	650	450	660	1200	1000	650	450	980	1300	1100	650	450	860	1300	1100	650	450	1100	1160	890					
300	570	680	510	860	1600	1300	680	510	1200	1700	1400	680	510	980	1700	1400	680	510	1550	1700	1055					
350	720	840	640	860	2700	2500	840	640	1400	3100	2500	840	640	980	3100	2600	840	640	1550	2890	2120					
400	770	900	700	980	3500	3100	900	700	1550	3800	3100	900	700	1100	3800	3200	900	700	1650	4360	2600					
450	810	970	770	1200	4000	3800	970	770	1550	4600	3800	970	770	1200	4600	4400	970	770	1650	4900	3240					
500	910	1085	845	1400	5000	4500	1085	845	1650	6300	4600	1085	845	1550	6300	6000	1085	845	1800	6700	3835					
600	1060	1140	900	1550	7200	6800	1140	900	1650	8650	6900	1140	900	1650	8600	8000	1140	900	1800	9000	6300					
700	1210	1185	985	1550	10200	9500	1185	985	1650	11300	9600	1185	985	1800	11400	11000	1185	985								
800	1380	1890	1090	1650	14700	13000	1890	1090	1800	15700	13100	1890	1090	2000	15700	15000	1890	1090								
900	1530	2075	1175	1650	19000	17600	2075	1175	2000	19200	17800	2075	1175	2200	19200	19000	2075	1175								
1200	1700	2150	1300	1700	23000	21500	2250	1430	1720	24000	22500															
1600																										

Flange in accordance with ISO / DIN.

Flanges in accordance with ANSI and MSS available on request.

Dimensions and weights are preliminary only. Final dimensions and weights will be established after detail design of each valve is completed.