

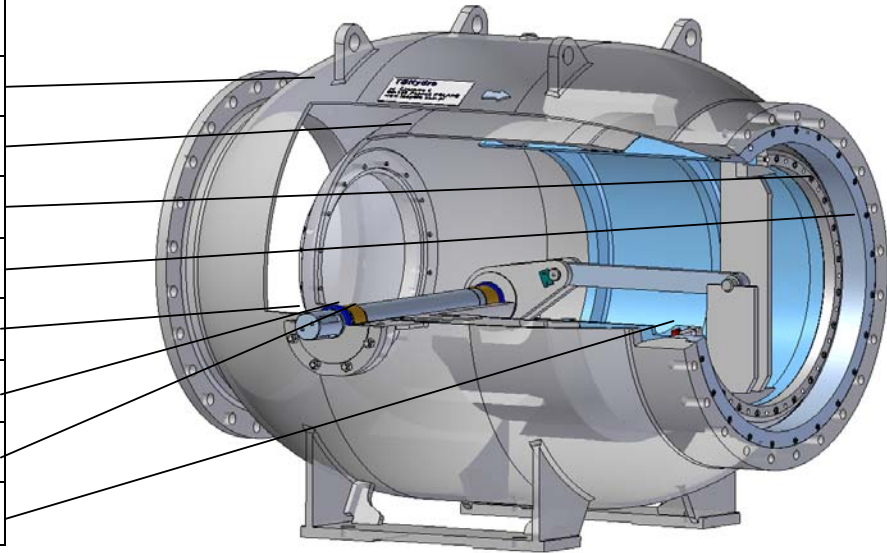
Description:

PLV plunger valves have compact shape and good head loss coefficient compared to other regulating and shut-off devices. The outer and inner bodies are formed in such a way that the cross section of flow rate decreases continuously from the inlet side to the sealing point. The piston moves axial to the main flow and perpendicular to the seat ring.

PLV plunger valves are used as shut-off and regulating devices in pressure pipe systems. With standard seals materials PLV valves may be used for liquid and gaseous service for temperatures up to 150°C.

Main materials:

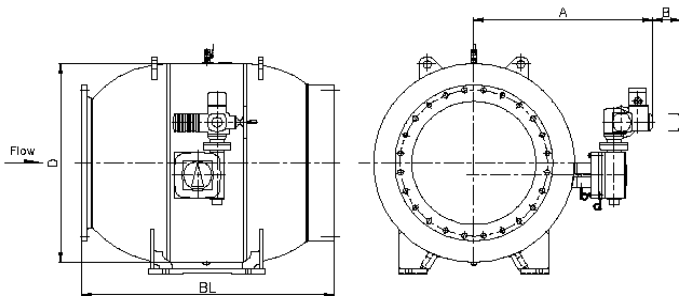
Parts	Type standard
Body	Carbon steel
Piston	Stainless steel
Clamping ring	Carbon steel
Ring	Carbon steel
Shaft	Stainless steel
Seals	Novothan Buna N (rubber)
Bushings	Slide bushing
Main sealing	Buna N / polyurethan



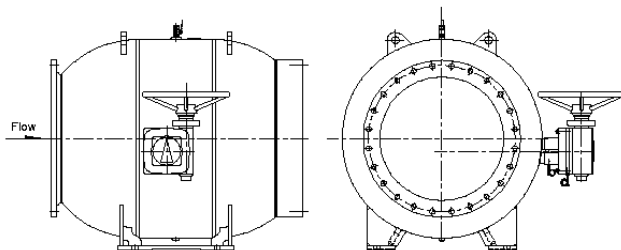
Other materials on request
Painting for standard valves- epoxy coating

General design:

1. Worm gear unit + Electric actuator

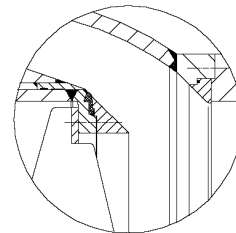


2. Worm gear unit + Handwheel

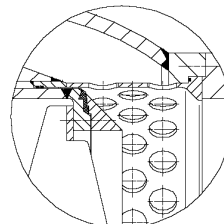


Outlet section:

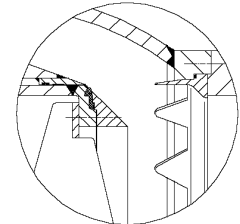
- I - with cut-off edge and sudden enlargement of cross sectional area at the seat



- III - with perforated cylinder



- II - with slotted sleeve





www.tfvalves.com

Plunger valve Type PLV DN300(12'')-1400(55'') PN6-25

Dimensions + weights for standard range of PLV- plunger valves (other sizes and pressure rates on request).

DN	BL	PN6					PN10					PN16					PN25				
		A	B	D	Weight drive 1	Weight drive 2	A	B	D	Weight drive 1	Weight drive 2	A	B	D	Weight drive 1	Weight drive 2	A	B	D	Weight drive 1	Weight drive 2
[mm]	[mm]	[mm]	[mm]	[mm]	[kG]	[kG]	[mm]	[mm]	[mm]	[kG]	[kG]	[mm]	[mm]	[mm]	[kG]	[kG]	[mm]	[mm]	[mm]	[kG]	[kG]
300	850	650	180	500	370	340	650	180	500	385	360	650	180	500	410	380	650	180	500	490	470
350	950	690	180	550	430	400	690	180	550	460	440	690	180	550	505	485	690	180	550	570	550
400	1050	770	180	700	600	580	770	180	700	630	600	770	180	700	730	710	770	180	700	900	880
450	1150	770	180	700	700	690	770	180	700	760	740	770	180	700	890	870	770	180	700	1080	1050
500	1250	820	180	800	800	790	820	180	800	860	840	820	180	800	1020	1000	820	180	800	1230	1200
600	1450	920	180	1000	1230	1210	920	180	1000	1410	1390	920	180	1000	1680	1660	920	180	1000	2040	2020
700	1600	970	180	1100	1680	1660	970	180	1100	1780	1760	980	180	1100	2080	2050	980	180	1100	2550	2520
800	1800	1080	180	1300	2000	1970	1080	180	1300	2390	2370	1090	180	1300	2840	2800	1090	180	1300	3510	3470
900	2000	1130	180	1400	3160	3140	1140	180	1400	3330	3300	1140	180	1400	3460	3400	1140	180	1400	4230	4200
1000	2200	1180	180	1500	3780	3760	1190	180	1500	4000	3970	1190	180	1500	4240	4200	1400	180	1500	5300	5240
1200	2400	1340	180	1800	5700	5680	1350	180	1800	6180	6150	1350	180	1800	6430	6400	1500	180	1800	7500	7600
1400	3000	1400	180	2200	15850	15700	1500	180	2200	16370	16200	1600	180	2200	16500	16400	1700	180	2200	17700	17500

Flange in accordance with ISO / DIN

Flanges in accordance with ANSI and MSS available on request

Dimensions and weights are preliminary only and are subject to change during detail design.



www.tfvalves.com

Conical jet gate valve Type CJV DN500(20")-2000(80") PN6-25

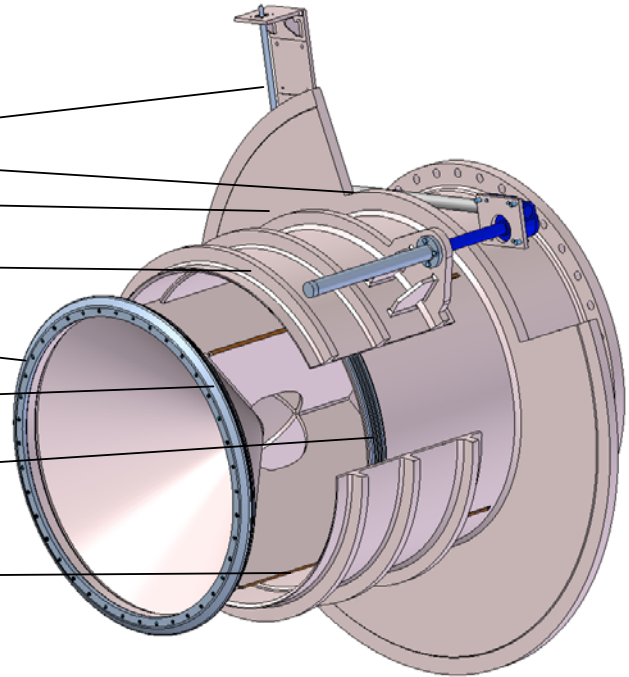
Description:

CJV – conical jet gate valves are used for their compact style, good head loose coefficient and good regulating of water discharge capacity. Our specially designed sealing systems (soft sealing and metal-to-metal sealing) ensure absolutely tight seal.

CJV – conical jet gate valve are used as free discharge devices in pressure piping systems.

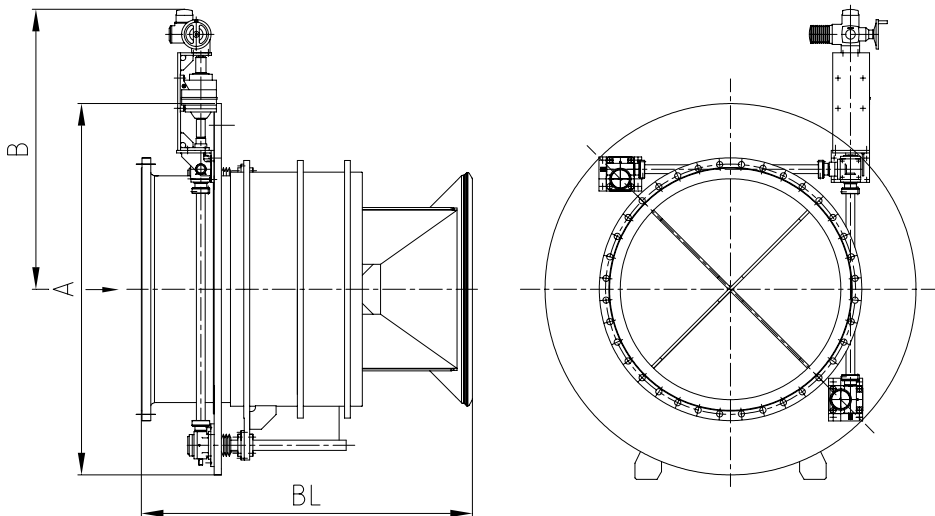
Main materials:

Parts	Type standard
Drive	Manual/electrical
Body	Carbon steel
Cylinder gate	Stainless steel
Clamping ring	Carbon steel
Main sealing	BUNA N (rubber)
Seals	NOVOTHAN/ BUNA N (rubber)
Slides	Bronze



Other materials are available on request
Painting for standard valves – epoxy coating

General design:





www.tfvalves.com

Conical jet gate valve Type CJV DN500(20'')-2000(80'') PN6-25

Dimensions and weights for standard range of CJV conical jet gate valves (other sizes and pressure ratings on request).

DN	BL	PN6				PN10				PN16				PN25			
		A	B	Weight type 1 ¹	Weight Type 2	A	B	Weight type 1*	Weight Type 2	A	B	Weight type 1*	Weight Type 2	A	B	Weight type 1*	Weight Type 2
[mm]	[mm]	[mm]	[mm]	[kg]	[kg]	[mm]	[mm]	[kg]	[kg]	[mm]	[mm]	[kg]	[kg]	[mm]	[mm]	[kg]	[kg]
500	1000	1000	700	780	640	1000	700	800	650	1000	700	885	720	1000	750	980	820
600	1150	1150	800	1170	930	1150	800	1200	960	1150	800	1300	1060	1150	850	1420	1180
700	1300	1300	950	1570	1270	1300	950	1600	1300	1300	950	1690	1390	1300	1000	1870	1580
800	1450	1450	1050	1960	1560	1450	1050	2000	1600	1450	1050	2130	1730	1450	1100	2580	2180
900	1550	1600	1150	2300	1640	1600	1150	2600	1940	1600	1150	2630	1970	1600	1200	3050	2470
1000	1650	1750	1250	3050	2090	1750	1250	3450	2430	1750	1300	3550	2530	1750	1300	3650	3020
1200	1850	2100	1450	3800	3000	2100	1450	4300	3500	2100	1500	4900	4100	2100	1500	5100	4200
1400	2050	2300	1550	5200	4250	2300	1550	5500	4550	2300	1600	6200	5260	2300	1600	6400	5500
1500	2100	2450	1600	6400	5000	2400	1650	6500	5600	2450	1700	7500	6400	2450	1700	7700	6800
1600	2200	2600	1650	7500	5500	2600	1750	7600	6400	2600	1800	9000	7280	2600	1800	9500	7900
1800	2300	2900	1750	8900	7000	2900	1850	9800	7800	2900	1900	10800	9000	2900	1900	11500	9600
2000	2500	3300	2000	10500	8000	3300	1950	10800	9000	3300	2000	12600	10500	3300	2000	13000	12200

Flange in accordance with ISO / DIN

Flanges in accordance with ANSI and MSS available on request

Dimensions and weights are preliminary only and are subject to change during detail design.

¹ Weight with special tube shield